

Goldbor

Drive Your Passion

[www.goldbor.com](http://www.goldbor.com)

Goldbor group, Inc.

Office

Address: Bockenheimer Landstrasse 58, Frankfurt am Main, Germany

Tel: +49 69-71068831

Fax: +49 69-71068839

Mail: [support@goldbor.com](mailto:support@goldbor.com)

Manufacturer@Germany

Address: Zweigniederlassung Deutschland, Werner-von-Siemens Str. 28,

61365 Pfungstadt, Germany

Mail: [G\\_factory@goldbor.com](mailto:G_factory@goldbor.com)

Owners Manual

High-End Mobile Loudspeaker Systems



Goldbor

Drive Your Passion

Dear Music Lover,

Thank you for your decision to acquire Goldbor Automotive Loudspeakers for after-market installation. The Goldbor has been developed to the same high standard as the company's renowned professional studio loudspeaker products.

It's a company that has made unparalleled car audio systems and allowed people to experience the unique charm of quality sound. Integrating music and speed perfectly, it was ever brilliant and commended. Always in the leading position of the car audio industry despite bankruptcy and new ownership, each of its products is created to push the limits; each of its designs exists to gain glory. It is Goldbor.

We wish you many years of enjoying and experiencing music at the highest level of performance,

The Goldbor logo is a stylized, handwritten-style signature of the brand name "Goldbor" in black ink.

This installation manual provides all technical specifications, installation dimensions and crossover connection instructions for the Goldbor .

Due to the great variety of installation conditions it will not give specific instructions how to install the systems into your car. Please refer to the operating manual of your car or ask your local automotive dealer for further help. To observe all relevant matters and thus maximizing the tremendous performance potential of your Goldbor products in your car, ask your authorized Goldbor dealer for assistance. He has the knowledge and expertise to perform a high quality aftermarket installation.

### Safety information

As all Goldbor components are passive (meaning these rely on external amplification), the components themselves can not cause any damage.

However, the components can be damaged beyond repair unless a few ground rules are observed:

- ▶ Insure all components are properly installed
- ▶ Observe the technical specifications
- ▶ Always use high-quality cabling and amplification

### CAUTION



#### HIGH SOUND PRESSURE LEVELS

Listening to high sound pressure levels over a longer period of time may harm your hearing.

- ▶ To avoid auditory affects do not listen to high sound levels over a longer period of time.

## Warranty

If the product should go out of order within one year after you purchased it, it will be repaired for free.

You will be charged with repair expenses in the following cases even while this warranty is valid:

- 1.In case the product goes out of order is destroyed or missing any part of it as a result that you disassemble or assemble it without a fair reason at any place other than a Service Center specified by Goldbor;
- 2.In case the product goes out of order due to the trouble caused by other products;
- 3.In case the product goes out of order or is destroyed as a result that it has been shifted from the place where it was initially installed, it has been dropped from a height, or it has been soaked in water after you purchased it;
- 4.In case the product goes out of order or is destroyed as it has suffered from such accidents as fire, earthquake, salt damage, gas hazard, wind and flood damage, thunderbolt, other acts of-God, or from irregular voltage;
- 5.If the model number and the serial number stated on the warranty and on the machine are damaged, altered or removed.
- 6.If the repaired product suffers from a traffic accident or goes out of order or is damaged during transportation;

## Technical specifications

**FB6508 / GB6508(Component System)**

Type	6.5" component system
Driver complement	6.5" (165mm) mid/woofer
Tweeter complement	1" (25mm) Titanium Tweeter
Peak Power handling	350W
Continuous Power handling	50W
Nominal Impedance	4Ω
Frequency response	30Hz-25kHz
Sensitivity	93dB / 91dB
Installation dimensions(in mm)	
Woofer	
Max Diameter .	Φ166
Mounting hole min.	Φ138
Mounting Depth min.	Φ59
Tweeter	
Max Diameter .	Φ58 (include outer covering)
Mounting hole min.	Φ48 (include outer covering)
Mounting Depth min.	17 (include outer covering)
Mounting hole	Φ42 (only tweeter)
Mounting Depth	23 (only tweeter)
Crossover	
Dimensions	120(L)x65(W)x32(H)

**DB650 / CB650(Coaxial)**

Type	6.5" coaxial
Driver complement	6.5" (165mm) mid/woofer
Tweeter complement	1" (25mm) Titanium Tweeter
Peak Power handling	250W
Continuous Power handling	40W
Nominal Impedance	4Ω
Frequency response	30Hz-25kHz
Sensitivity	93dB / 91dB
Installation dimensions(in mm)	
Max Diameter .	Φ166
Mounting hole min.	Φ138
Mounting Depth min.	Φ59

# Technical specifications

## GB5208(Component System)

Type	5¼" component system
Driver complement	5¼" (130mm) mid/woofer
Tweeter complement	1" (25mm) Titanium Tweeter
Peak Power handling	300W
Continuous Power handling	45W
Nominal Impedance	4Ω
Frequency response	30Hz-25kHz
Sensitivity	91dB
Installation dimensions(in mm)	
Woofer	
Max Diameter .	Φ130
Mounting hole min.	Φ119
Mounting Depth min.	Φ58.7
Tweeter	
Max Diameter .	Φ58 (include outer covering)
Mounting hole min.	Φ48 (include outer covering)
Mounting Depth min.	17 (include outer covering)
Mounting hole	Φ42 (only tweeter)
Mounting Depth	23 (only tweeter)
Crossover	
Dimensions	120(L)x65(W)x32(H)

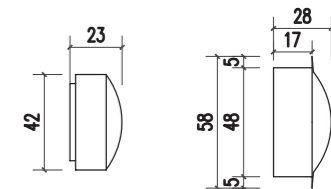
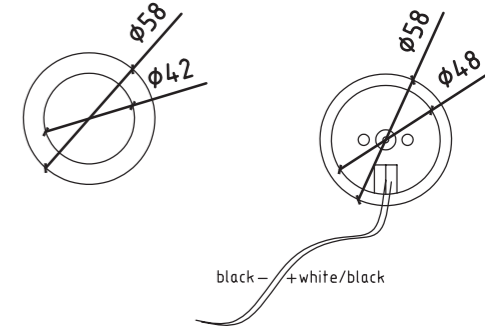
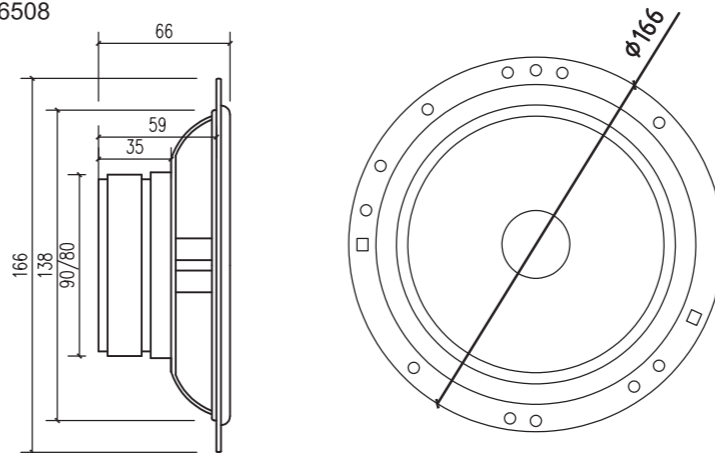
## CB520(Coaxial)

Type	5¼" Coaxial
Driver complement	5¼" (130mm) mid/woofer
Tweeter complement	1" (25mm) Titanium Tweeter
Peak Power handling	200W
Continuous Power handling	35W
Nominal Impedance	4Ω
Frequency response	30Hz-25kHz
Sensitivity	91dB
Installation dimensions(in mm)	
Woofer	
Max Diameter .	Φ130
Mounting hole min.	Φ119
Mounting Depth min.	Φ58.7

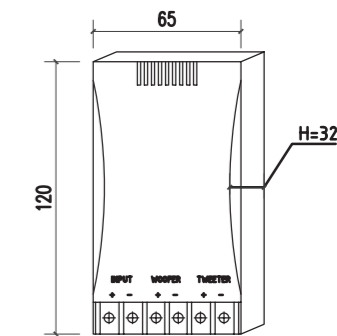
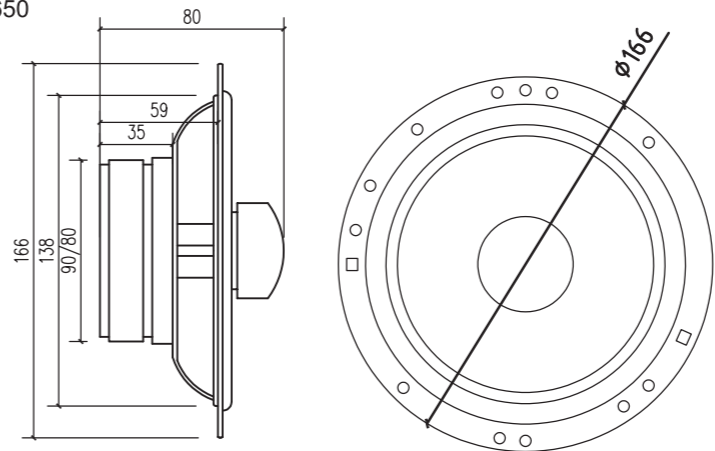
## CB691(Coaxial)

Type	6X9" Coaxial
Driver complement	6X9" (150x225mm) mid/woofer
Tweeter complement	1" (25mm) Titanium Tweeter
Peak Power handling	300W
Continuous Power handling	45W
Nominal Impedance	4Ω
Frequency response	30Hz-25kHz
Sensitivity	91dB
Installation dimensions(in mm)	
Woofer	
Max Diameter .	Φ150x225
Mounting hole min.	Φ140x213
Mounting Depth min.	Φ89

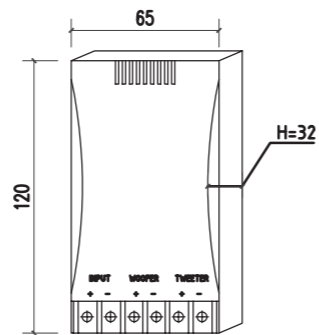
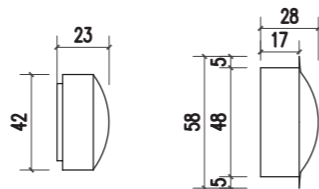
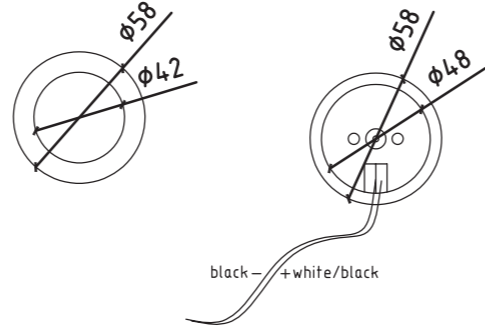
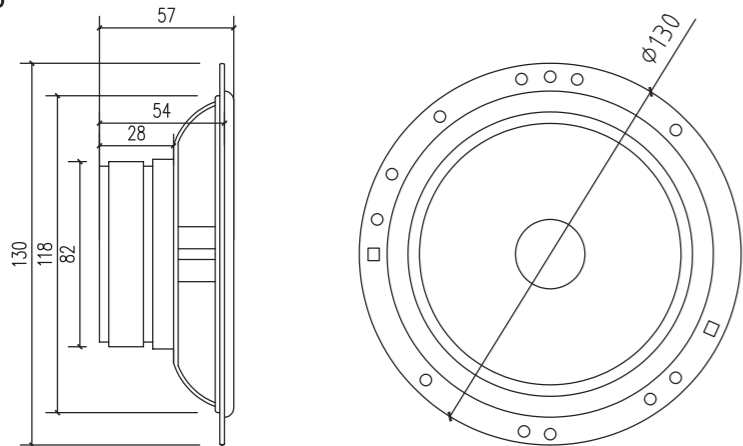
## FB6508 / GB6508



## DB650 / CB650

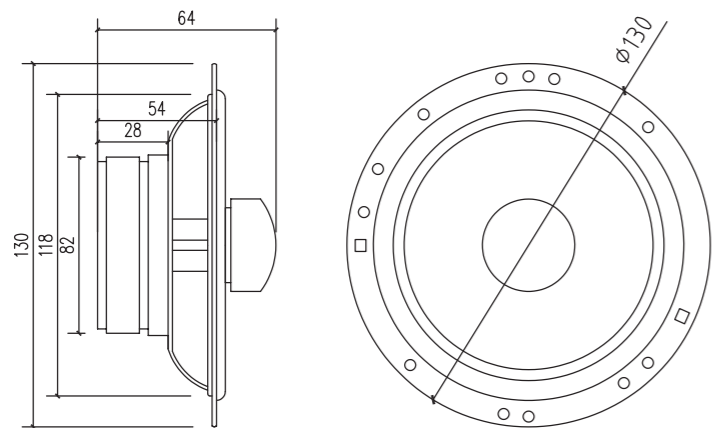


GB5208



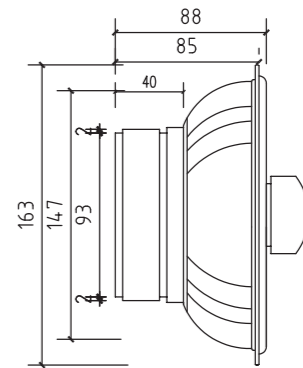
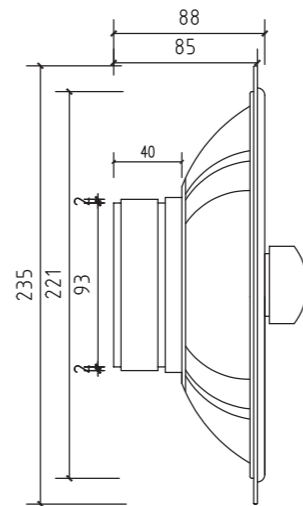
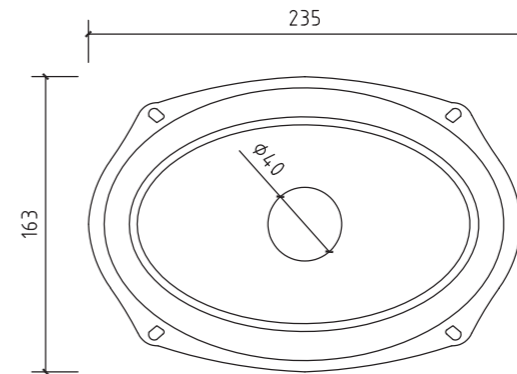
(mm)

CB520



7

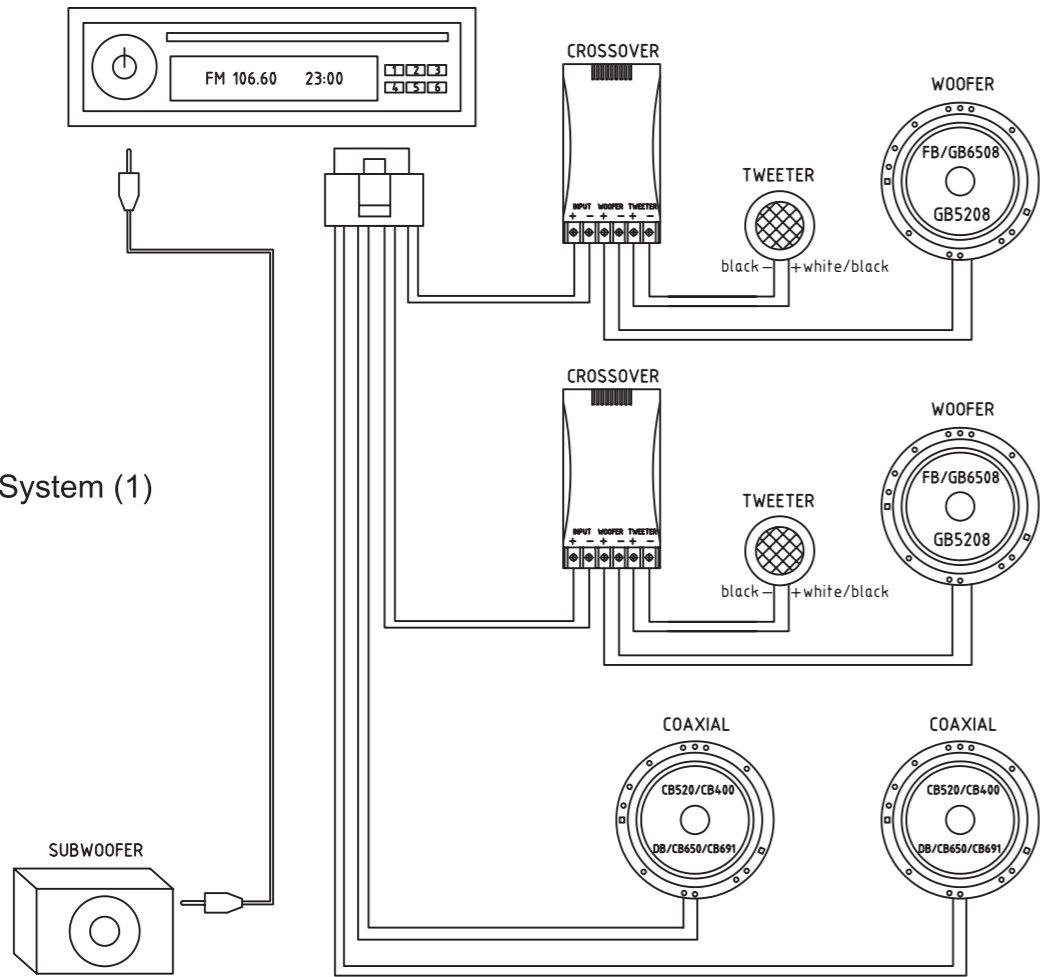
CB691



(mm)

8

Example System (1)



Example System (2)

